

T 815-7T3R21 4x4.1R



4x4 HMHD CHASSIS-CAB, ARMoured CAB PER STANAG 4569

The TATRA 4x4 High Mobility Heavy Duty (HMHD) - Tactical Truck is a member of the most recent development of the latest military family of TATRA trucks designed for rough terrain, difficult climatic and environment conditions.

The armoured cabin has been designed from the ground up with an integrated blast management system and multi-layered scalable armour system. By placing the users at the centre of the development process and creating the protection system around them, the cabin offers very high levels of protection at low weight without compromising on comfort or usability. Equipped by power-assisted door opening and energy absorbing blast seats.

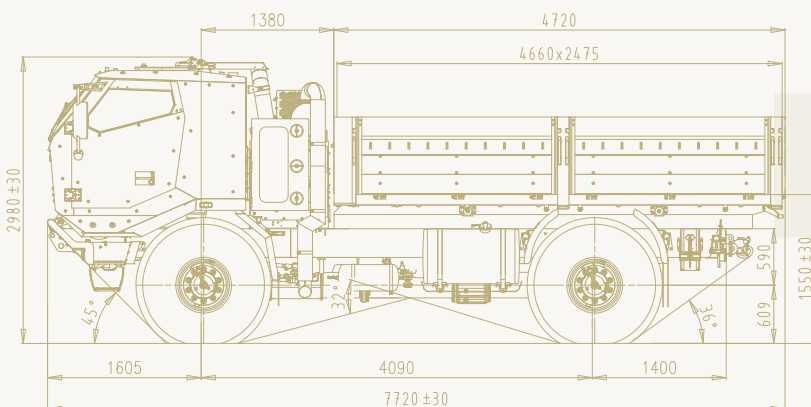
Due to its specific design features, this truck is particularly suitable for expeditionary forces and for deployment overseas.

The 4x4 all-wheel drive chassis employs new development of the independent suspension and backbone tube frame, which are unique characteristics of the TATRA concept chassis proven for more than 90 years.

Improved steering, and maximum tyre-to-ground contact, extreme resistance of the chassis against torsion and bending. Protection of all driveline components inside the backbone tube. Low service and maintenance costs.

Air springs all-round, along with the independent wheel suspension, care for low vertical vibration, and thus provide high ride comfort, enabling also fast drive in rough terrain.

• Armoured cab per STANAG 4569 • Adjustable vehicle height and clearance • All-wheel drive • Differential locks • CTIS operated on the fly



INDEPENDENT SUSPENSION
SOLID 3D STRUCTURE FRAME

ARMoured CAB,
STANAG 4569

6,300 kg PAYLOAD
4x4 DRIVE • 270 kW

TATRA TAKES YOU FURTHER

tatratrucks.com



TATRA FORCE

T 815-7T3R21 4x4.1R

4x4 HMHD CHASSIS-CAB, ARMoured CAB PER STANAG 4569

ENGINE

Air cooled, four stroke turbo-charged and charge-air-cooled direct injection Diesel.

Model	TATRA T3C-928-81 EURO 3
Number of cylinders	8
Bore/stroke	120/140 mm
Displacement	12.7 ltrs
Power output	270 kW/1,800 RPM
Max. torque	1,850 Nm/1,000 RPM

CLUTCH

MFZ 1x430, single plate, with diaphragm spring.
Hydraulic control with pneumatic booster.

TRANSMISSION

Model	TATRA 14 TS 210L
Number of speeds: - forward	14
- reverse	2

Semiautomatic split. Except of the crawler and reverse gears, all gears are synchromeshed.

TRANSFER BOX

Type TATRA 2.30 TRS 0.8/1.9. Speed reducing.
Pneumatic control.

FRONT AXLE

TATRA steered and driven swing half-axle with independent wheel suspension, axle differential lock and front drive disconnection. Wheel hub reductions. Air springs and telescopic shock absorbers.

REAR AXLE

TATRA driven swing half-axle with independent wheel suspension, axle differential lock. Wheel hub reductions. Air springs and telescopic shock absorbers. Sway bar.

STEERING

Left/right hand drive, integral power steering.

BRAKES

Wedge type self-adjustable drum brake units, ABS.
Four separate brake systems: service, emergency, parking, and engine brake.

WHEELS

Single tactical tyres on all axles with CTIS.	
Rims	20 -10.00V
Tyres	16.00 R20
Beadlocks, run flats as option.	

CAB

COE type, forward tilting, armoured, ballistic and mine blast protection per STANAG 4569. Two doors with power-assisted door opening. Three energy absorbing blast seats with safety belts. Flat 2-piece windscreen, right-left design, roof manhole. Rifle racks, sun visors, HVAC unit.

ELECTRIC EQUIPMENT

Nominal voltage	24 V
Batteries	2x12V, 180 Ah
Alternator	80 A/28 V

DIMENSIONS

Width	2,550 mm
Track - front/rear	2,072 mm
Clearance	410 mm
Clearance can be temporarily raised/lowered by suspension on the fly.	

WEIGHTS

Vehicle curb weight (armoured cab)	12,700 kg
Payload max.	6,300 kg
GVW max.	19,000 kg

PERFORMANCE

Top speed	115 km/h
Gradeability at GVW (calculated)	100 %
Side slope	45 %
Turning circle diameter (curb to curb)	18.5±1 m
Fording capability	1,500 mm
Crossing ability - trench width	1,000 mm
Climbing ability - vertical step	600 mm
Fuel tank	420 ltrs
Cruising range (on road)	cca 1,200 km
Operating ambient temperature	-32°C to +49°C

EQUIPMENT

Trailer hook - automatic, incl. electrical and braking system coupling.
Driver's tools for maintenance and common repairs. 2kg ABC Fire extinguisher, pioneer tools, jack, wheel chock.
Winch - pulling capacity 54 kN, rope length 30 m - as option.
NBC protection kit - as option.

tatratrucks.com



TATRA EXPORT s.r.o.

Areál Tatry 1450/1, 742 21 Kopřivnice, Czech Republic

tel.: +420 556 492 654, fax: +420 556 492 672, e-mail: defence@tatra.cz